

January 23, 1991 2017

Mr. and Mrs. Harris Asahara
902 Kealauna Way
Hilo, Hawaii 96720

Dear Mr. and Mrs. Asahara:

Ohana Dwelling Permit (OD 90-316)
Tax Map Key: 1-5-34:157, Lot 179

The subject application has been reviewed by the concerned agencies and notes:

1. The subject tax map key parcel is served by an acceptable street;
2. The subject application can meet with the State Department of Health wastewater treatment and disposal systems requirements;
3. The copy of document(s) received November 11, 1990 and January 23, 1991 relating to subject tax map key parcel to establish title and exhibits contained therein do not include any deed restriction or covenant to prohibit construction of requested ohana dwelling; and,
4. The submitted site plan denotes two off-street parking stalls on the property.

In view of the above, by this letter, you are hereby granted permission to construct the Ohana Dwelling (NEW DUPLEX), subject to the following condition(s):

- (a) The building permit for the Ohana Dwelling shall be secured on or before January 23, 1993. If the applicant and/or owner fails to secure a building permit within two (2) years of the date of this letter, permission to construct the subject ohana dwelling shall be deemed void. A time extension may be granted for good cause, provided, the permittee and/or owner applies in writing at least forty-five (45) calendar days before the expiration of the two (2) year period.
- (b) Off-street parking space for two vehicles is designated on the submitted site plan to fulfill the off-street parking requirement. The off-street parking spaces may not be employed for storage or other use unless and until approved alternative on-site parking arrangements are established.

JAN 24 1991

Mr. and Mrs. Harris Asabara

Page 2

January 23, 1991

- (c) All construction drawings together with approved site plan drawn to scale submitted with the ohana dwelling building permit application shall denote location and identify required two (2) off-street parking spaces.
- (d) The ohana dwelling shall conform to all requirements of codes and statutes pertaining to access and building construction.
- (e) The applicant shall conform to State Department of Health standards and regulations and following comment(s) dated November 14, 1990:

"Per Administrative Rule, Title 11, Chapter 62, Wastewater, a single individual wastewater system (IWS) may receive no more than 800 gallons of sewage per day based on 200 gallons per bedroom per day. This limits discharge into a single IWS to four bedrooms. Developments which exceed four bedrooms must install a additional IWS.

The Department of Health would like to inform the applicant that wastewater rules is in the process of change and that comments made to the project may change accordingly."

- (f) This Ohana Dwelling permit is subject to all other applicable rules, regulations and requirements, including but not limited to those of the Planning Department, Department of Public Works, and State Department of Health.

Please bring or attach a copy of this Permit to expedite processing the building plans and building permit application to construct the ohana dwelling. Should you have any questions regarding the above, please feel free to contact either Masa Osuma or William Yamanoha of my staff at 961-8288.

Sincerely,



NORMAN K. KAYASHI
Planning Director

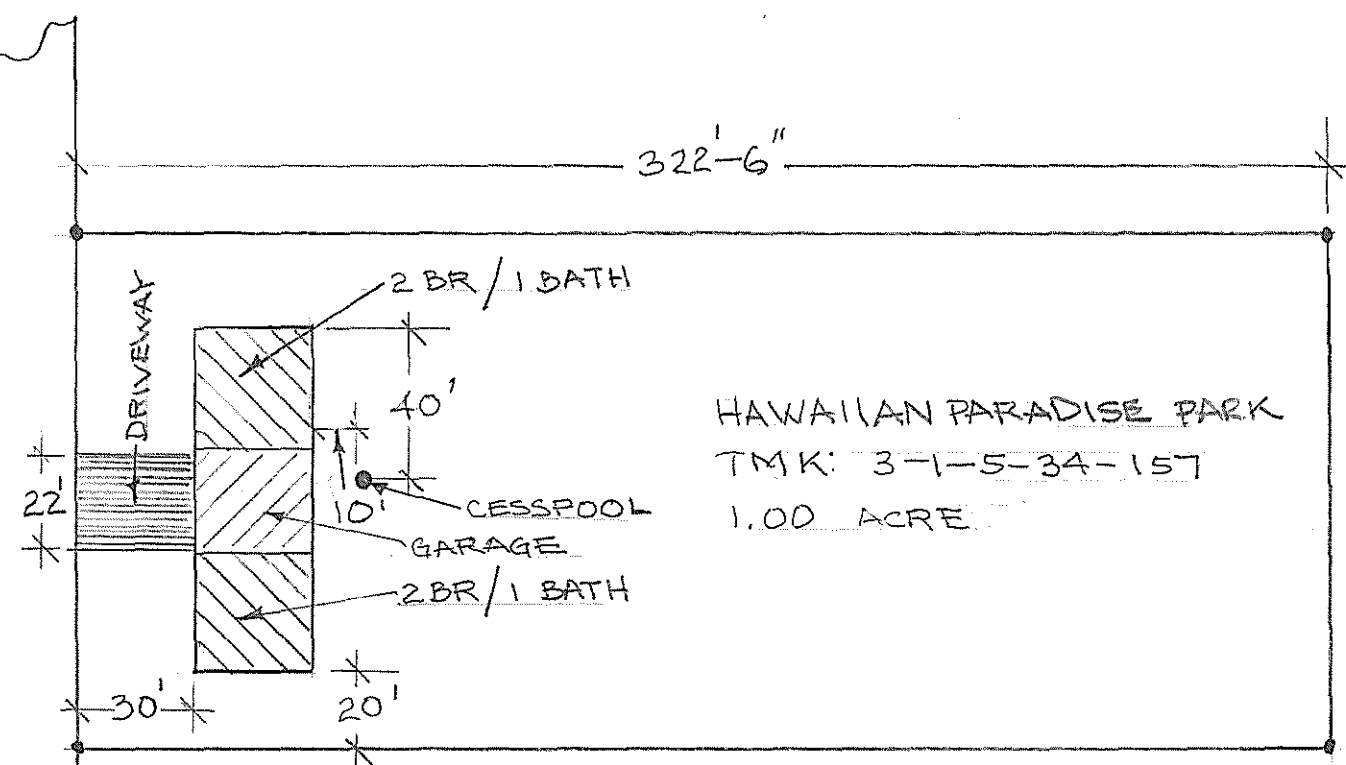
WRY/MD:etn

cc: Department of Health,
Chief Sanitarian
Department of Public Works
Real Property Tax Division

PUAKALO / 30TH STREET

322'-6"

135'-0"



HAWAIIAN PARADISE PARK
TMK: 3-1-5-34-157
1.00 ACRE

SCALE: $\frac{1}{50}'' = 1'-0''$

MR. MRS. H. ASAHARA
QHANA DWELLING